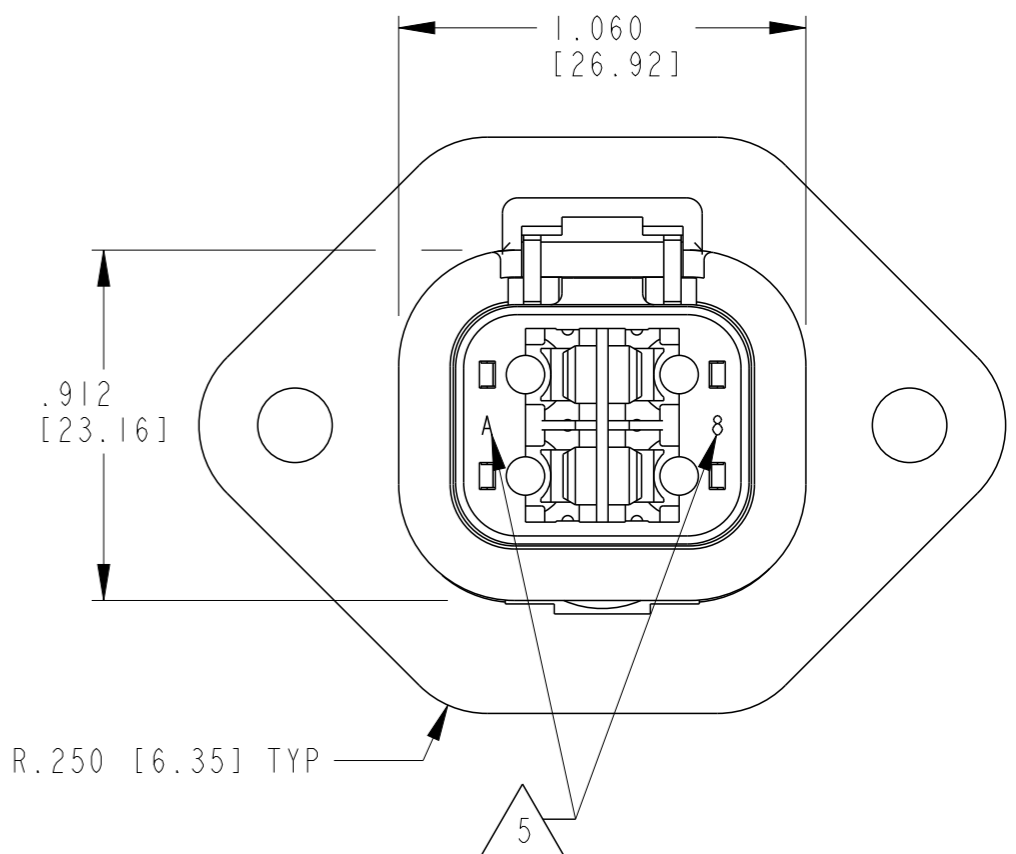
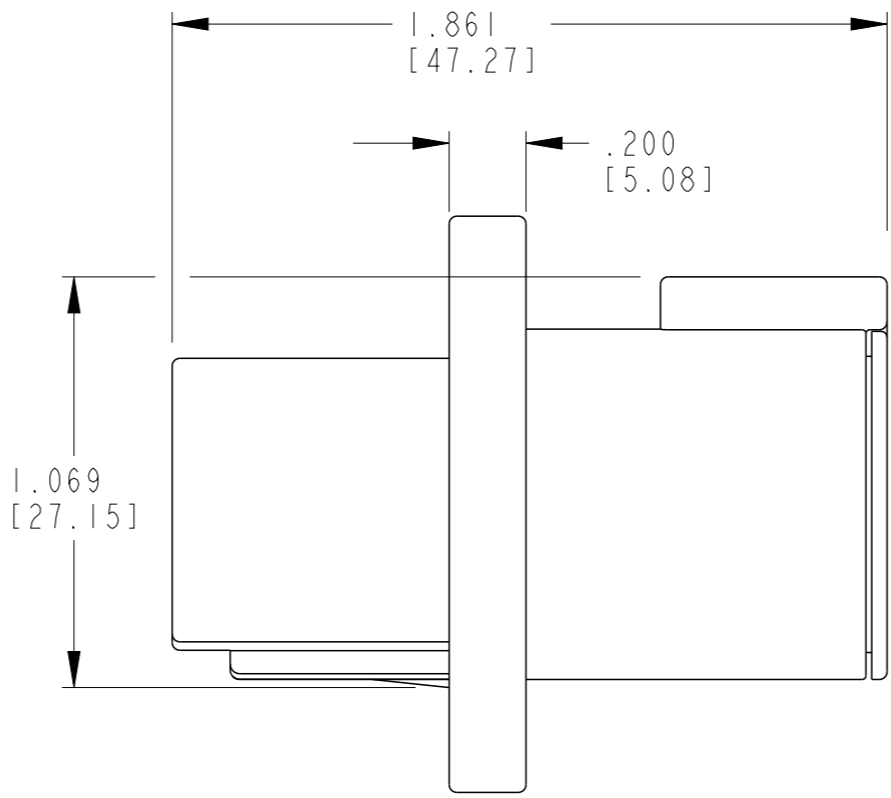
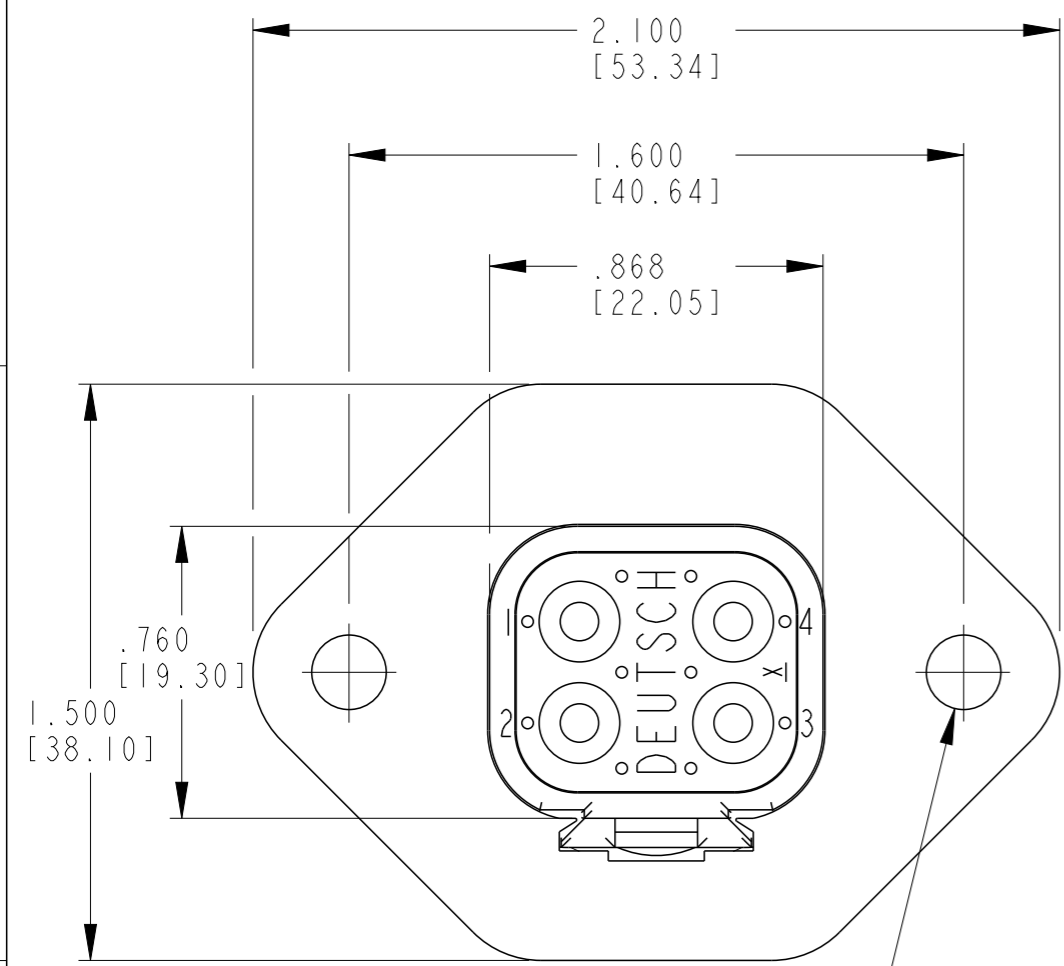
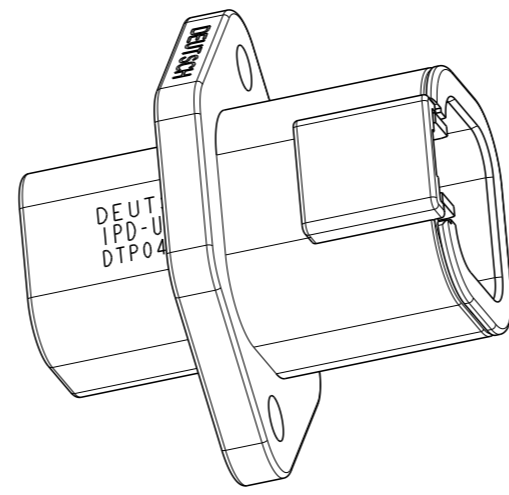


LOC	DIST
-	-

REVISIONS					
P	LTR	DESCRIPTION	DATE	DWN	APVD
B		REVISED PER E.O. PI7224	13APR2001	-	RDR
C		REVISED PER E.O. PI7309	14JUN2001	-	RDR
D		REVISED PER E.O. P20373	23DEC2009	-	RDR
E		REVISED PER ECO-15-003592	10APR2015	VNB	DM



2X Ø .194 [4.93]  
 CLEARANCE FOR #8 [M4.5]



5. DATE CODE: MONTH IS REPRESENTED BY SEQUENTIAL ALPHA CHARACTERS. EX: A=JANUARY. YEAR IS REPRESENTED BY THE LAST DIGIT. EX: 8=2008

4. MATERIAL:  
 RECEPTACLE: PA66 GF15 (GREY)  
 SEAL RETAINER: PA66 GF15 (GREY)  
 INTERFACE SEAL: SILICONE, PHENYL FLUID LUBED (GREEN)  
 FLANGE: PA66 GF15 (GREY)

3. THIS RECEPTACLE MATES WITH DTP06-4S-XXXX PLUG. (XXXX = ALL MODIFICATIONS)

2. SECONDARY WEDGE LOCK SOLD SEPARATELY: WP-4P-XXXX (XXXX = ALL MODIFICATIONS)

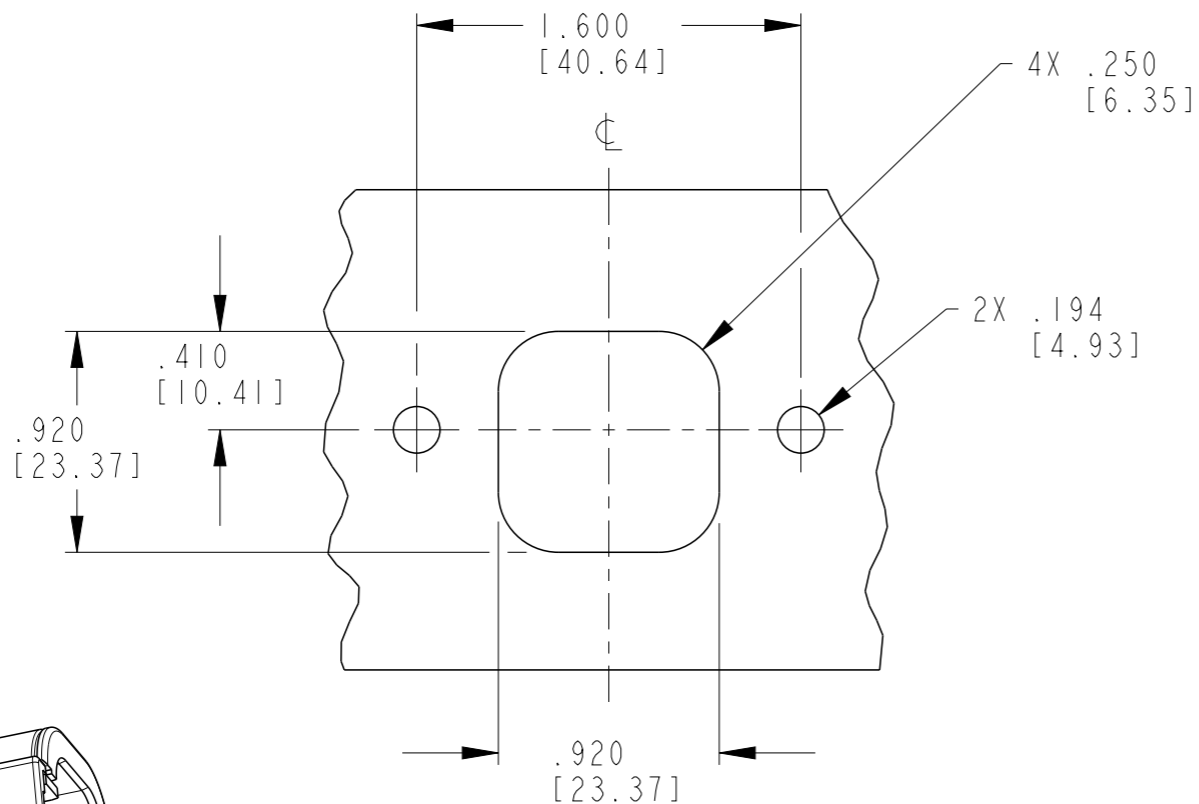
1. DIMENSION TOLERANCE: ±.025 [.64], EXCEPT FOR PANEL CUTOUT: ±.010 [.25]. SEE SHEET 2.

NOTES:

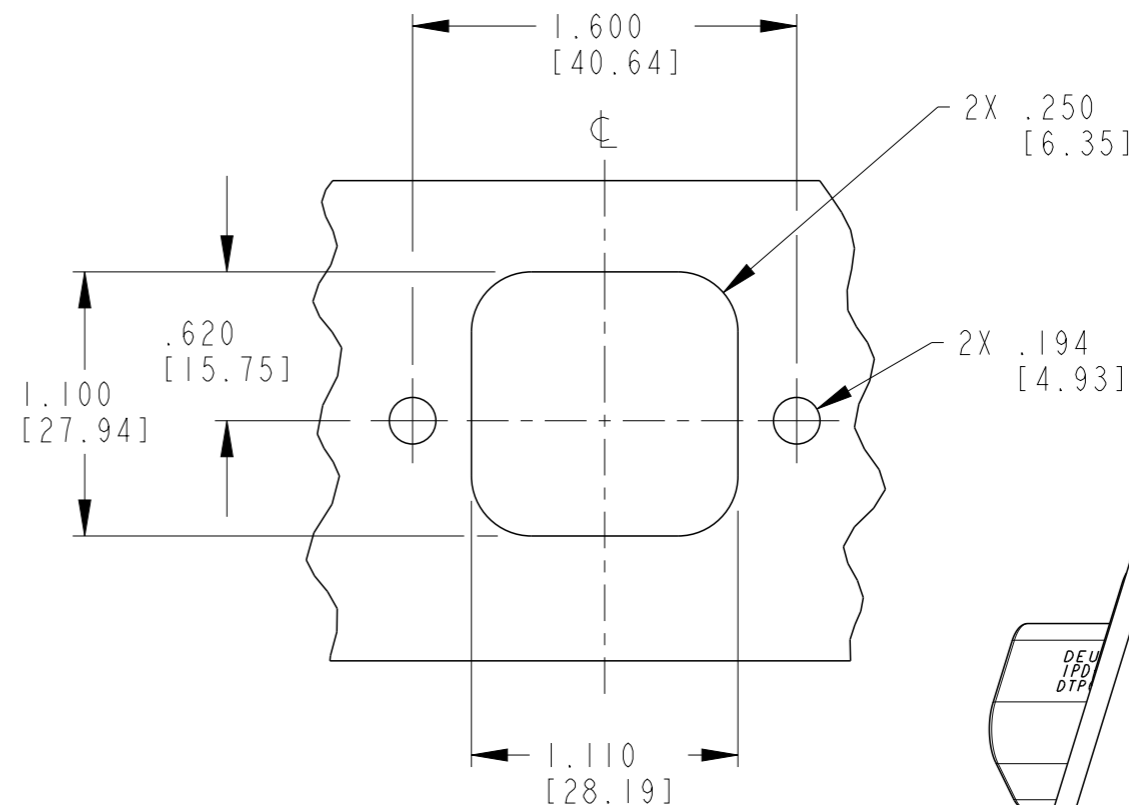
TE INTERNAL PN		DEUTSCH PN	
DTP04-4P-L012		DTP04-4P-L012	
CONTACT SIZE	MIN. INSUL. O.D.	MAX INSUL. O.D.	WIRE RANGE [mm <sup>2</sup> ] REF ONLY
12	.134 [3.40]	.170 [4.32]	10-14 AWG [5.0-2.0]

THIS DRAWING IS A CONTROLLED DOCUMENT.		DWN S. PALLUTH 24OCT2000	<b>STE</b> TE Connectivity																			
DIMENSIONS: INCHES [mm]		CHK B. BAYFORD 23DEC2009																				
TOLERANCES UNLESS OTHERWISE SPECIFIED:		APVD R. REED 18DEC2009	NAME RECEPTACLE 4 CONTACTS, SIZE 12 DTP SERIES																			
<table border="0"> <tr> <td>0 PLC ±-</td> <td>±-</td> <td rowspan="4"> </td> </tr> <tr> <td>1 PLC ±-</td> <td>±-</td> </tr> <tr> <td>2 PLC ±-</td> <td>±-</td> </tr> <tr> <td>3 PLC ±-</td> <td>±-</td> </tr> <tr> <td>4 PLC ±-</td> <td>±-</td> <td></td> </tr> <tr> <td>ANGLES ±-</td> <td>±-</td> <td></td> </tr> <tr> <td>FINISH -</td> <td>-</td> <td></td> </tr> </table>		0 PLC ±-	±-		1 PLC ±-	±-	2 PLC ±-	±-	3 PLC ±-	±-	4 PLC ±-	±-		ANGLES ±-	±-		FINISH -	-		PRODUCT SPEC -	RESTRICTED TO -	
0 PLC ±-	±-																					
1 PLC ±-	±-																					
2 PLC ±-	±-																					
3 PLC ±-	±-																					
4 PLC ±-	±-																					
ANGLES ±-	±-																					
FINISH -	-																					
MATERIAL 4		APPLICATION SPEC 0425-015-0000	SIZE A3	CAGE CODE 4AFU8	DRAWING NO ©-DTP04-4P-L012																	
		WEIGHT 21.2g	SCALE 2:1		SHEET 1 OF 2																	
		Customer Drawing	REV E																			

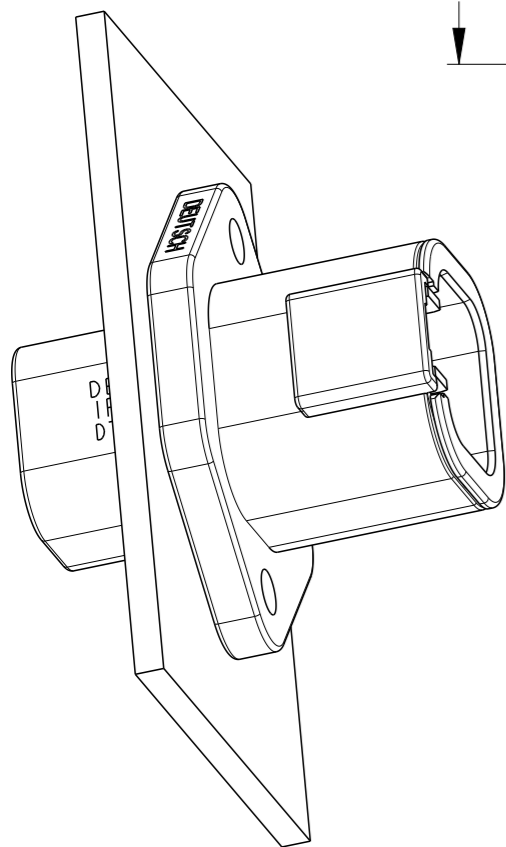
LOC	DIST	REVISIONS					
		P	LTR	DESCRIPTION	DATE	DWN	APVD
-	-	-	-	SEE SHEET 1	-	-	-



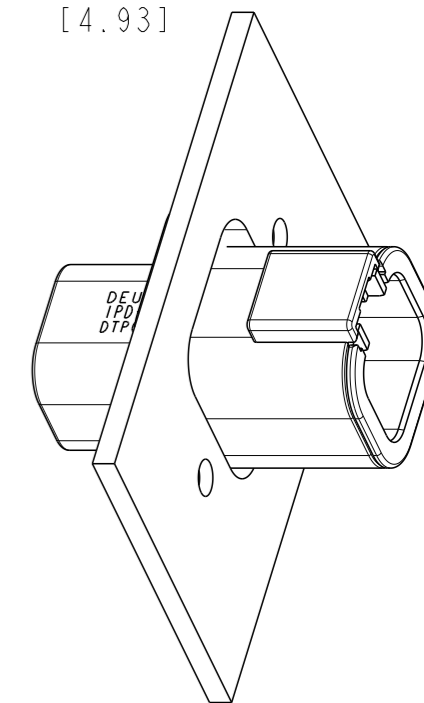
**RECOMMENDED CUTOUT  
FRONT MOUNT**





**RECOMMENDED CUTOUT  
REAR MOUNT**



**FRONT MOUNT  
REFERENCE VIEW**



**REAR MOUNT  
REFERENCE VIEW**

THIS DRAWING IS A CONTROLLED DOCUMENT.		DWN S. PALLUTH 24OCT2000	 TE Connectivity	
DIMENSIONS: INCHES [mm]		CHK B. BAYFORD 23DEC2009		
TOLERANCES UNLESS OTHERWISE SPECIFIED:		APVD R. REED 18DEC2009	NAME RECEPTACLE 4 CONTACTS, SIZE 12 -L012 MOD. DTP SERIES	
	0 PLC ±-	PRODUCT SPEC	SIZE	
	1 PLC ±-	-	CAGE CODE	
2 PLC ±	APPLICATION SPEC	DRAWING NO		RESTRICTED TO
3 PLC ±	-	WEIGHT		
4 PLC ±-	FINISH	SCALE		SHEET 2 OF 2
ANGLES ±-	-	NONE		
MATERIAL	Customer Drawing	A3 4AFU8		REV E
		DTP04-4P-L012		